

VEICHI

VI20 Series HMI



Product Overview

VEICHI VI20 series touch screen, a new generation of Internet of Things man-machine interface, industrial ABS plastic shell, low cost , high reliability; brand new mold, Use a more practical way of downward outlet; redesigned front face, with a higher appearance , There are higher resolution models available.

By matching the IoT Flink module, you can immediately upgrade to the IoT man-machine interface and enjoy the complete industrial IoT cloud platform service.



Model Description

VI 20 - 101S - F E

①

②

③

④

① VI : product code

③ 043S : 4.3 inch
070S : 7 inch
101S : 10.1 inch
156S : 15.6 inch

② 20 : Product Series

④ F : Without Ethernet
FE : With Ethernet

Features of the product

HD, highlight, full viewing angle





Using high-definition, high-brightness display LCD, the maximum viewing angle reaches 170 degrees

4.3"	800×480	250 cd/m ²
7"	1024×600	350 cd/m ²
10.1"	1024×600	400 cd/m ²



Support edge computing





Possess powerful embedded operating software, namely edge computing software

-  300+ protocol local resolution
-  VPN and routing functions
-  Data storage function
-  Support MQTT

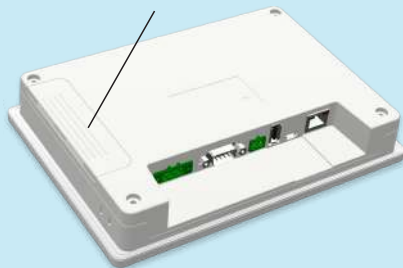


Support Flink IoT expansion module

Remote configuration of field device data is possible through Flink



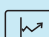

-  PLC remote download
-  IData configuration
-  IHistorical data query
-  IAlarm configuration

Expansion module card slot
support module:
FLink, FLink-2G(-A), FLink-4G(-A),
FLink-4G(-C), FLink-WiFi(-A)



Support cloud platform Flex Cloud

Powerful SAAS platform based on B/S structure

-  Configuration monitoring
-  Map monitoring
-  Data report
-  Mobile APP

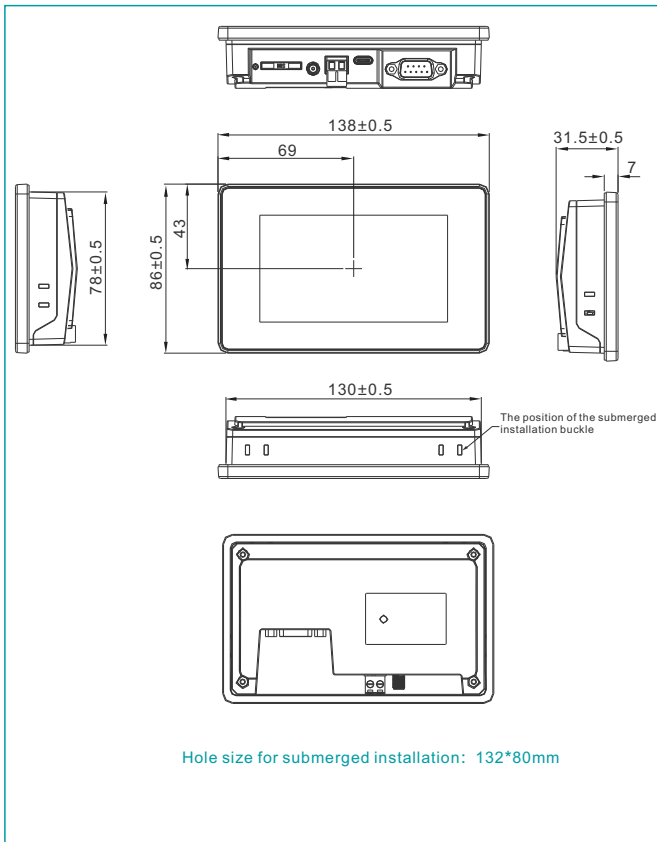


Technical parameter

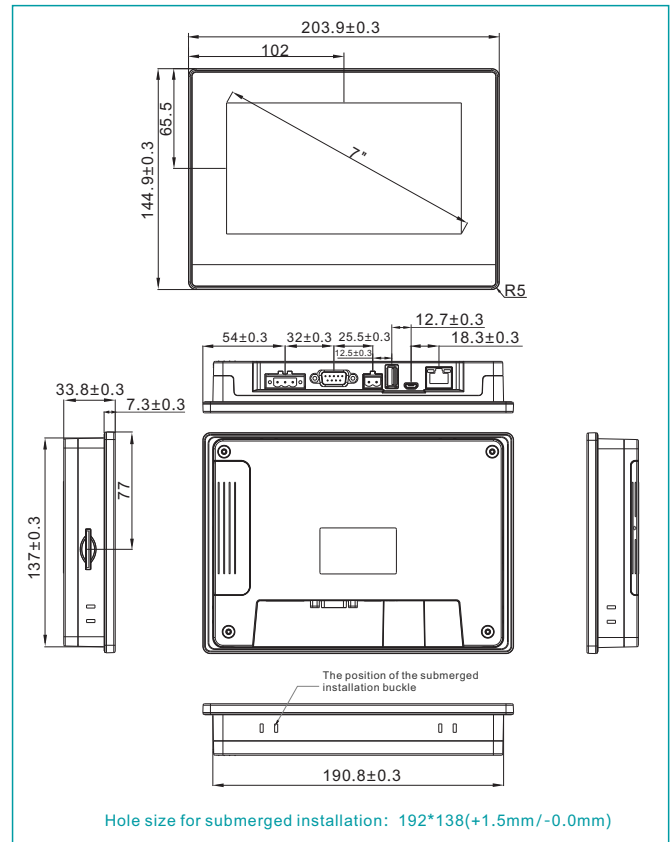
	Model	VI20-043S-F	VI20-070S-F	VI20-070S-FE	VI20-101S-F	VI20-101S-FE	VI20-156S-FE
Hardware parameters	Display screen	4.3" 16:9 TFT LCD screen	7" 16:9 TFT LCD screen		10.1" 16:9 TFT LCD screen		15.6" 16:9 TFT LCD screen
	Resolution	800×480	1024×600				1920×1080
	Color	16 bits	24 bits				65K
	Brightness	250 cd/m ²	350 cd/m ²			400 cd/m ²	250 cd/m ²
	Backlight	LED					
	LCD life	50000 hours					
	Touch screen	4-wire industrial resistive touch screen					
	CPU	720MHz ARM	600MHz ARM Cortex-A8				1G ARM Cortex-A8
	Memory	64MB RAM+128MB Flash	128M Flash + 128M DDR3				256MB FLASH+ 512MB DDR3
	RTC	With	Built-in real-time clock				
	SD card	Without					Micro SD (TF) card
	Ethernet	Without	Without	1 channel 10M/100M adaptive	Without	1 channel 10M/100M adaptive	2 channel 10M/100M adaptive
	USB port	One Type-C OTG interface	One USB Slave 2.0 port; One USB Host 2.0 port				
	Program download method	USB Slave/U Disk (Need to be equipped with adapter cable)	USB Slave/U Disk	USB Slave/U Disk/ Ethernet	USB Slave/U Disk	USB Slave/U Disk/ Ethernet	USB Slave/U Disk/ Ethernet
	Serial communication interface	COM1: RS232/RS485/RS422 COM3: RS232	COM1:RS232/RS485/RS422 COM2:RS485 COM3:RS232	COM1:RS232/RS485/RS422 COM2:RS485 COM3:RS232	COM1: RS232/RS485/RS422 COM3: RS232	COM1:RS232/RS485/RS422 COM2:RS485 COM3:RS232	COM1/ COM3: RS232/RS485/RS422; COM2: RS485/RS422
LCD viewing angle (T/B/L/R)	80°/80°/80°/80°	85°/85°/85°/85°					
Electrical Specifications	Rated power	< 2.5W	< 10W				< 18W
	Rated voltage	DC24V, Workable range DC 9V~28V					DC24V, Workable range DC 18V~28V
	Power protection	With lightning surge protection					Power isolation module is adopted, with lightning surge protection
	Allow power loss	< 5ms					
	CE & RoHS	Comply with EN61000-6-2:2005 ; EN61000-6-4:2007 standard; Lightning surge±1KV ; Group pulse±2KV ; Static contact 4KV ; Air discharge 8KV Comply with RoHS	Comply with EN61000-6-2:2005 EN61000-6-4:2007 standard Comply with RoHS lightning surge±1KV Group pulse±2KV Static contact 4KV, Air discharge 8KV				
Environmental requirements	Operating temperature	0~50 °C					
	Storage temperature	-20~60 °C					
	Anti-UV	It is forbidden to work in a strong ultraviolet environment (such as direct sunlight)					
	Environment humidity	10~90%RH (No condensation)					
	Shock resistance	10~25Hz (X/Y/Z direction 2G/30 minutes)					
	Cooling method	Natural air cooling					
Mechanical index	Installation mode	Embedded installation / VESA installation					
	Protection level	The front panel complies with IP65 (installed with flat panel cabinets), and the back shell complies with IP20					
	Mechanical structure	Engineering plastics					Metal shell
	Opening size	132mm×80mm	192mm×138mm		260mm×202mm		380mm×245mm
	Overall size	138mm×86mm×32mm	204mm×145mm×33.8mm		273mm×213mm×36mm		394mm×256mm×36mm
	Machine weight	about 300g	about 560g		about 890g		about 2250g

Installation dimension drawing

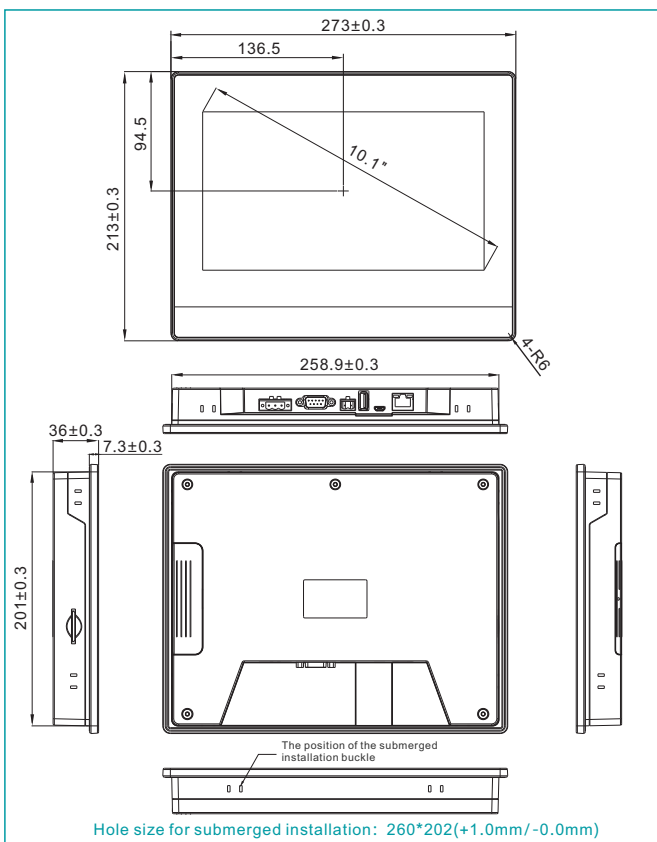
VI20-043S-F dimensional drawings



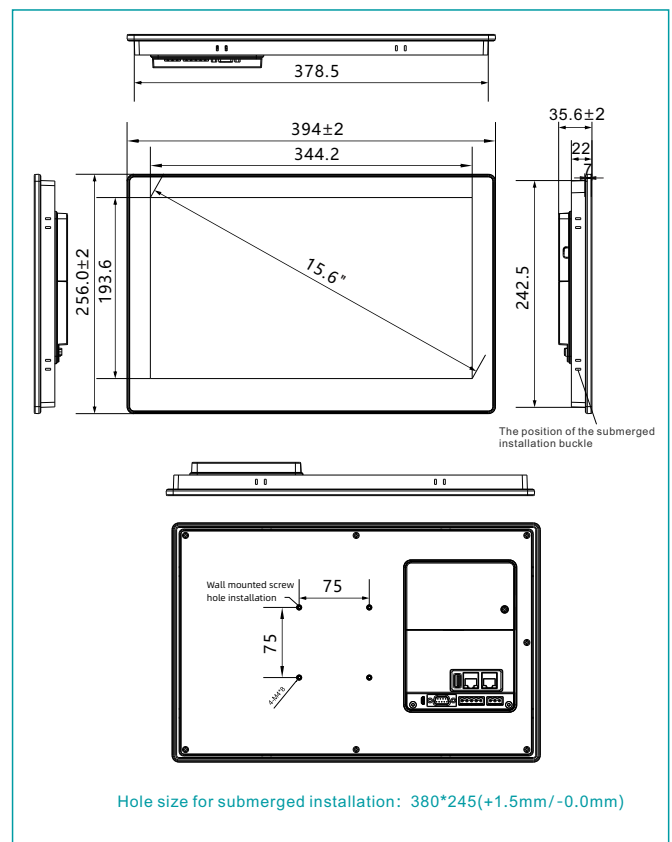
VI20-070S-F/VI20-070S-FE dimensional drawings



VI20-101S-F/VI20-101S-FE dimensional drawings



VI20-156S-FE dimensional drawings



VEICHI

Suzhou Veichi Electric Co., Ltd

No.1000 Songjia Road, Guoxiang street, Wuzhong Economic
and Technological Development Zone, Suzhou
Tel:+86-512-6617 1988
Fax:+86-512-6617 3610

Facebook: <https://www.facebook.com/veichiglobal/>
Whatsapp: +86- 138 2881 8903
Http://www.veichi.org



Wechat Official Account

*Version:2021 V1.0
Veichi Electric Co., Ltd all rights reserved,
subject to change without notice.